

Selective Call Intercom

innovative technology paired
with elegant design



SELECTIVE CALL INTERCOM / PRODUCT GUIDE

on·Q
 legrand®

THE MOST ADVANCED INTERCOM IN THE INDUSTRY

elegant design

Inspired by color and design trends from around the world, the Selective Call System seamlessly blends leading edge technology with stunning design. Its sculptural flow of curves, featuring titanium edging and a screwless finish, allows homeowners to integrate home technology with personal style and taste.



extraordinary technology

Built on cutting edge technology that allows broadcast or room-to-room communication at the touch of a button, selective call can accommodate up to 32 locations and up to three simultaneous, private conversations — the only intercom in the industry to do so. It also eliminates the need for a main console, allowing complete system control from any, and every, room unit.





PATIO UNIT



ROOM UNIT



DOOR UNIT

unmatched personalization

The Selective Call System allows you to choose from 96 room names, such as Nursery or Great Room, and it includes up to 20 built-in digital door tones. Its easy-to-use interface ensures complete system personalization at the touch of a button. It even dynamically sorts the room names, so the most frequently called location appears at the top of the list.



Oil-Rubbed Bronze



Brushed Stainless



Gloss Black

one-person installation

Built on the innovation you'd expect from the industry leader, Selective Call's installation is simple and efficient. Just run a single Cat 5 cable from the On-Q enclosure to each Selective Call unit and plug it into an RJ45 connection. Then wait for a few moments while the system auto-discovers. Remote units beep throughout the home for identification during initial setup, allowing you to accurately name locations without traveling from room to room. In addition, the system features a self-healing capability which causes deactivated units to drop off without hindering the performance of the rest of the system.

Option 1

Baby's Room
Front Porch
Great Room
Kitchen
SETTINGS

Option 2

Baby's Room
Front Porch
Great Room
Kitchen
SETTINGS

Option 3

Baby's Room
Front Porch
Great Room
Kitchen
SETTINGS

Option 4

Baby's Room
Front Porch
Great Room
Kitchen
SETTINGS

Customizable LCD Skins

Step 1. Auto-Discovery

Initializing
Discovering...
My Address: 90:900
My Name: ROOM 2

Step 2. Units Recognized

Room 2
ALL
ROOM 1
ROOM 2
DOOR 1
SETTING

Step 3. Name Selection

Unit Names
Old Name: ROOM 1
New Name: Kitchen
BACK

Step 4. Setup Complete

Baby's Room
Front Porch
Great Room
Kitchen
SETTINGS

Intuitive Setup Screens



Selective Call Intercom System

PRODUCT

PART

Selective Call Intercom Room Unit



IC5000-GB
IC5000-LA
IC5000-TI
IC5000-WH

- Features a high-resolution color LCD interface.
- Includes simple, intuitive user navigation.
- Allows unmatched personalization — from a choice of 96 room names to the ability to customize most settings.
- Employs dynamic sorting of room names — bringing the most frequently called locations to the top.
- Elegant design matches any décor.

Selective Call Intercom Patio Unit



IC5004-AB
IC5004-BS
IC5004-OB
IC5004-SB
IC5004-WH

- The only selective call patio unit in the industry.
- Can be disabled from any indoor unit as needed.
- Stylish metal design complements outdoor living areas.

Selective Call Intercom Door Unit



IC5002-AB
IC5002-BS
IC5002-OB
IC5002-SB
IC5002-WH

- Supports 20 high quality digital door tones.
- Stylish, weatherproof design increases the curb appeal of any home.
- Integrates with gate/door releases.

Selective Call Intercom 8-Location Distribution Module



IC5001

- Supports up to eight selective call units, with the ability to cascade up to four modules to support 32 locations.
- Includes 20 high quality digital door tones.
- Door tones can be customized by door location.
- Can be integrated with lyriQ™ Audio System to support audio interrupt during an intercom page.

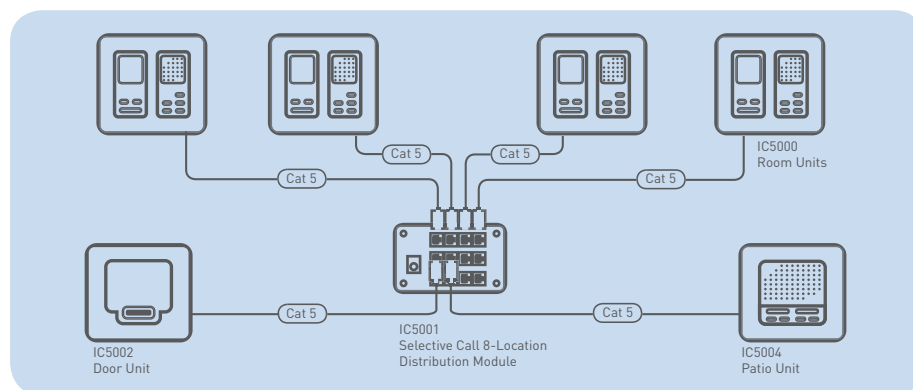
Selective Call Intercom 4-Location Kit



IC5400-LA
IC5400-WH

- Kit includes four room units, one module, and power supply.
- Enables room-to-room communication at the touch of a button.

WIRING DIAGRAM



COLORS

Indoor



Gloss Black
GB



Light Almond
LA



Titanium
TI



White
WH

Outdoor



Antique Brass
AB



Brushed Stainless
BS



Oil-Rubbed Bronze
OB



Shiny Brass
SB



White
WH



301 Fulling Mill Road • Suite G
Middletown, PA 17057

© 2008 On-Q/Legrand. All rights reserved.
Part # 1308020 Rev_0 ?M-LH/FP-0408